

BEND ALLOWANCE CHART

ALUMINUM 90 DEG. BEND ALLOWANCE

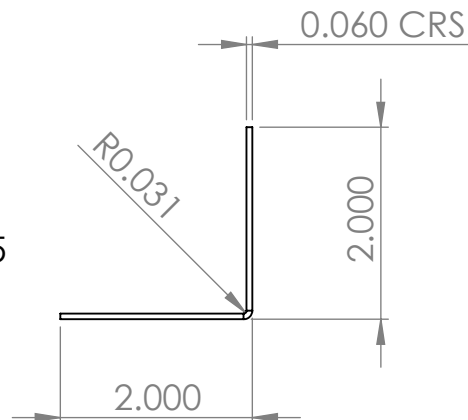
BEND RADIUS	22 GA. (.025)	20 GA. (.032)	18 GA. (.040)	16 GA. (.051)	14 GA. (.064)	12 GA. (.081)	11 GA. (.091)	10 GA. (.102)	1/8 (.125)	3/16 (.1875)
1/32	.047	.057	.068	.083	.099	.124	.137	.152	.183	.268
1/16	.061	.070	.081	.096	.113	.137	.151	.166	.197	.282
3/32	.074	.084	.095	.110	.126	.150	.164	.179	.210	.295
1/8	.088	.097	.108	.123	.140	.164	.178	.192	.224	.309
3/16	.115	.124	.135	.150	.167	.191	.204	.219	.251	.335
1/4	.142	.151	.162	.177	.194	.218	.231	.246	.278	.363

MILD SHEET STEEL 90 DEGREE BEND ALLOWANCE

BEND RADIUS	24 GA. (.024)	22 GA. (.030)	20 GA. (.036)	18 GA. (.048)	16 GA. (.060)	14 GA. (.075)	13 GA. (.089)	12 GA. (.105)	11 GA. (.119)	10 GA. (.134)	3/16 (.188)	1/4 (.250)
1/32	.046	.054	.061	.078	.095	.115	.135	.156	.177	.196	.268	.353
1/16	.060	.068	.076	.092	.108	.128	.149	.169	.190	.210	.282	.367
3/32	.073	.082	.089	.105	.122	.142	.162	.183	.203	.223	.295	.380
1/8	.087	.095	.103	.119	.135	.155	.176	.196	.217	.237	.309	.394
3/16	.114	.122	.129	.146	.162	.182	.202	.223	.243	.264	.335	.421
1/4	.141	.150	.156	.172	.189	.209	.229	.250	.270	.290	.362	.448

EXAMPLE

$$\text{FLAT SIZE} = 2 + 2 - .095 = 3.905$$



Courtesy of
Data Metalcraft, Inc.
RESOURCE CENTER
www.datametal.com

PROPRIETARY AND CONFIDENTIAL

THE INFORMATION CONTAINED IN THIS DRAWING IS THE SOLE PROPERTY OF DATA METALCRAFT INC. ANY REPRODUCTION IN PART OR AS A WHOLE WITHOUT THE WRITTEN PERMISSION OF DATA METALCRAFT INC. IS PROHIBITED.

**DATA
METALCRAFT
INC.**

CATEGORY:

SIZE

A

TITLE:

REV

DO NOT SCALE DRAWING

SCALE: 1:1

SHEET: 1 OF 1